

# internal grinding tools


Innenschleifwerkzeuge

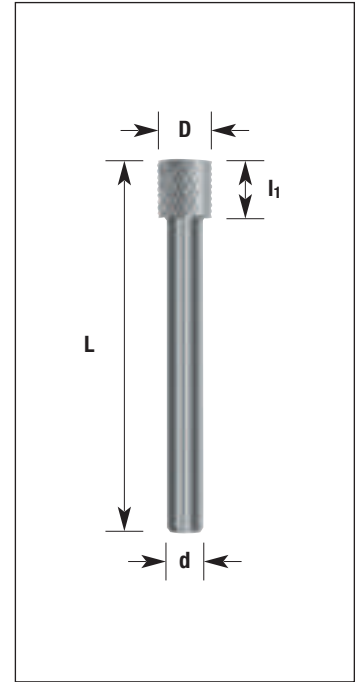
outils de rectification interne

herramientas para rectificar

utensili per rettifica interna

**231**

	1.7 - 1.9	<b>tol: D</b> +0.000/-0.005"	<b>tol: d</b> +0.000/-0.002"
---	-----------	---------------------------------	---------------------------------



D ins	d ins	L ins	h <sub>1</sub> ins	Part Nr
1/16	1/8	1 1/2	1/8	23106250
5/64	1/8	1 1/2	5/32	23107800
3/32	1/8	1 1/2	5/32	23109370
7/64	1/8	1 1/2	3/16	23110940
1/8	1/8	1 1/2	3/16	23112500
5/32	3/16	2	1/4	23115620
3/16	3/16	2	1/4	23118750
1/4	1/4	2	1/4	23125000
5/16	1/4	2 1/2	5/16	23131250
3/8	1/4	2 1/2	3/8	23137500